

FIGURE 7JD-7. JOHN DEERE ENGINE 5030T w/o AC Compressor

NOTICE

Due to the different configurations available for engines, drawings will not be provided. The following list details this engine only. When calling Superior Diesel for support on this Engine, Reference the ES Code number listed below. Make certain you Have the S/N of the engine available at time of service call.

ES20102

Rated Horsepower: 83hp@2500 rpm
Actual Max HP: 77HP@2200 rpm
Operating RPM: 2400 rpm high idle
1100 rpm low idle

ITEM NO.	PART NO.	DESCRIPTION	UNITS PER ASSEMBLY
1	31750234	John Deere 5030T.....	1
2	5128792	105 Amp Circuit Breaker.....	1
3	37580033	75 Amp Alternator.....	1
4	61231247	Starter Relay.....	1
5	10061012	Addco Throttle (See Next Page).....	1
6	80010006	Timer.....	1
7	5196966	Water Temp Sender (VDO).....	1
8	5193951	Oil Pressure Sender (VDO).....	1
9		Drive Assembly (Funk).....	1
--	10210155	Drive Shaft.....	1
--	10213774	Flywheel Cover.....	1
--	29813157	Drive Plate.....	1
--	37030248	C Pad O-Ring.....	1
--	10213812	C Pump Pad.....	1
10	1614485	Oil Drain Valve.....	1
11	22311189	Engine Enclosure Harness.....	1
12☉	D60-0014	Nelson Muffler.....	1
13	42016800	Pull Handles.....	4
14☉	G082525	Donaldson Air Cleaner.....	1
15	1606987	Heater Shutoff Valves.....	2
16	27296865	Engine Enclosure.....	1

CONSUMABLES/WEAR ITEMS:

20	3894512	Fuel/Water Separator (RE508202).....	1
21	3894511	Oil Filter (RE519626).....	1
22	17560016	Serpentine Belt (R123464).....	1

☉ This is a Superior Diesel Part Number.

FIGURE 7JD-7. JOHN DEERE ENGINE 5030T w/o AC Compressor

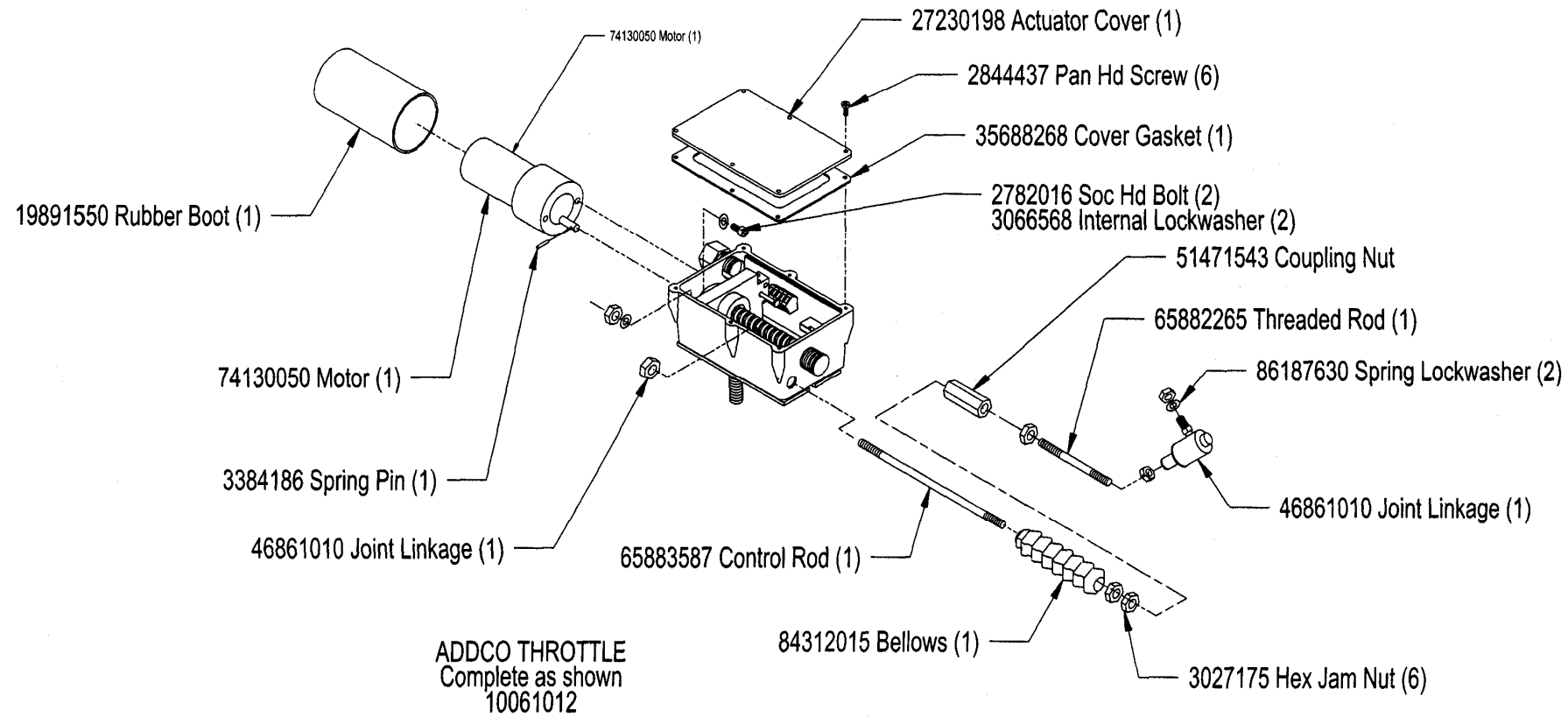


FIGURE 7JD-8. JOHN DEERE ENGINE 5030T with AC Compressor

NOTICE

Due to the different configurations available for engines, drawings will not be provided. The following list details this engine only. When calling Superior Diesel for support on this Engine, Reference the ES Code number listed below. Make certain you Have the S/N of the engine available at time of service call.

ES20106

Rated Horsepower: 84hp@2800 rpm
Actual Max HP: 77HP@2200 rpm
Operating RPM: 2400 rpm high idle
1100 rpm low idle

ITEM NO.	PART NO.	DESCRIPTION	UNITS PER ASSEMBLY
1	31750235	John Deere 5030T.....	1
2	5128792	105 Amp Circuit Breaker.....	1
3	37580033	75 Amp Alternator.....	1
4	61231249	Starter Relay.....	1
5	10061012	Addco Throttle (See Next Page).....	1
6	80010006	Timer.....	1
7	5196966	Water Temp Sender (VDO).....	1
8	5193951	Oil Pressure Sender (VDO).....	1
9◆	96412838	Drive Assembly (Hayes).....	1
10	1614485	Oil Drain Valve.....	1
11	22311189	Engine Enclosure Harness.....	1
12☉	60-0014	Nelson Muffler.....	1
13	42016800	Pull Handles.....	4
14☉	G082525	Donaldson Air Cleaner.....	1
15	1606987	Heater Shutoff Valves.....	2
16	27296865	Engine Enclosure.....	1
17	25730008	Air Conditioning Compressor Kit.....	1

CONSUMABLES/WEAR ITEMS:

20	3894512	Fuel/Water Separator (RE508202).....	1
21	3894511	Oil Filter (RE519626).....	1
22	17560016	Serpentine Belt (R123464).....	1
23	17519210	A/C Compressor Belt.....	1

☉ This is a Superior Diesel Part Number.

◆ The Hayes Pump Drive is only available as a complete unit. Repair items are not available.

FIGURE 7JD-8. JOHN DEERE ENGINE 5030T with AC Compressor

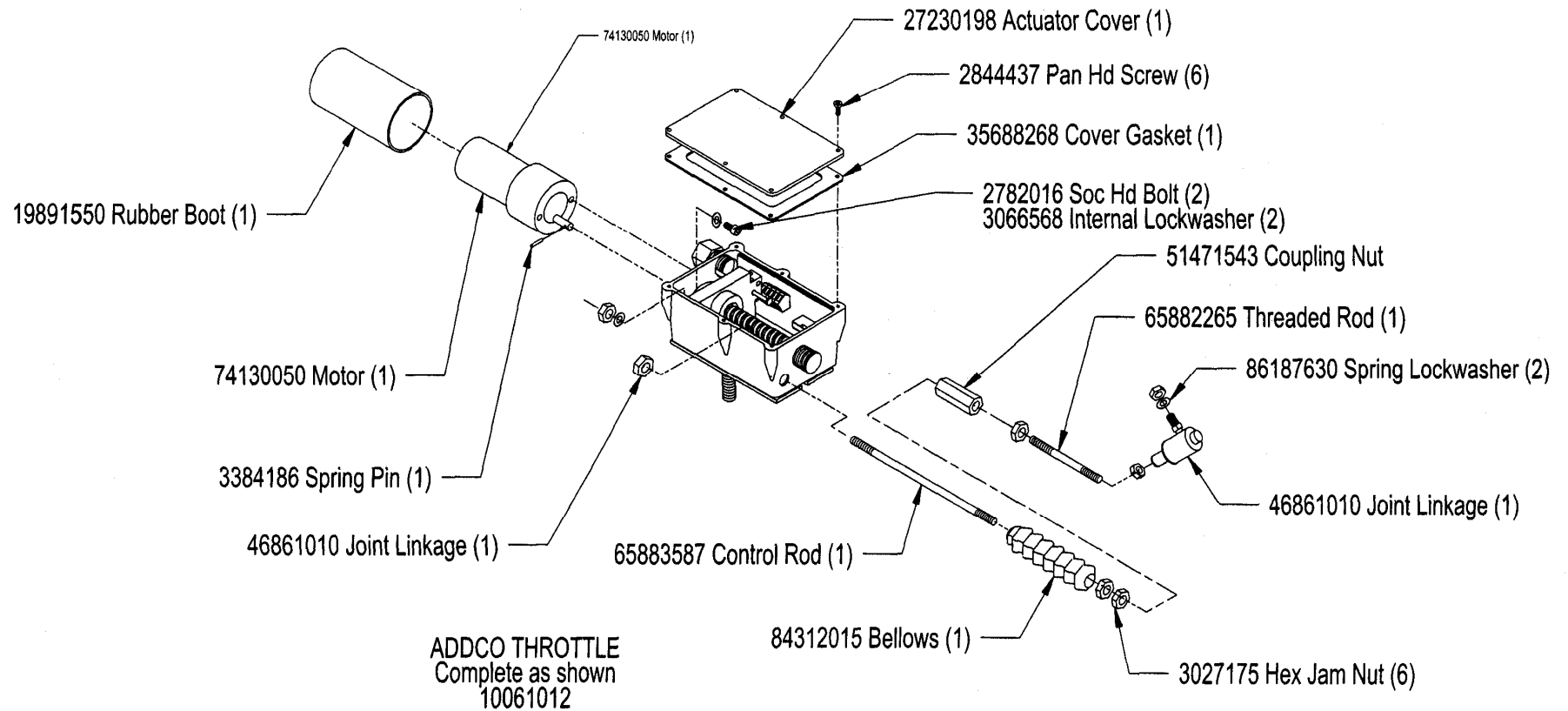


FIGURE 7JD-9. JOHN DEERE ENGINE 5030T with AC Compressor

NOTICE

Due to the different configurations available for engines, drawings will not be provided. The following list details this engine only. When calling Superior Diesel for support on this Engine, Reference the ES Code number listed below. Make certain you Have the S/N of the engine available at time of service call.

ES20105

Rated Horsepower: 84hp@2800 rpm
Actual Max HP: 77HP@2200 rpm
Operating RPM: 2400 rpm high idle
1100 rpm low idle

ITEM NO.	PART NO.	DESCRIPTION	UNITS PER ASSEMBLY
1	31750236	John Deere 5030T.....	1
2	5128788	80 Amp Circuit Breaker.....	1
3	37580033	75 Amp Alternator.....	1
5	10061012	Addco Throttle (See Next Page).....	1
6	80010006	Timer.....	1
7	5193977	Water Temp Sender (SW).....	1
8	5196976	Oil Pressure Sender (SW).....	1
9	96412838	Drive Assembly (Hayes).....	1
10	1614485	Oil Drain Valve.....	1
11	22311189	Engine Enclosure Harness.....	1
12☉	60-0014	Nelson Muffler.....	1
13	42016800	Pull Handles.....	4
14☉	G082525	Donaldson Air Cleaner.....	1
15	1606987	Heater Shutoff Valves.....	2
16	27296865	Engine Enclosure.....	1
17	25730008	Air Conditioning Compressor Kit.....	1
18	96410497	Engine Protection System.....	1
19	1607023	Brass Shutoff Valve (for Coolant Cond.)...	2

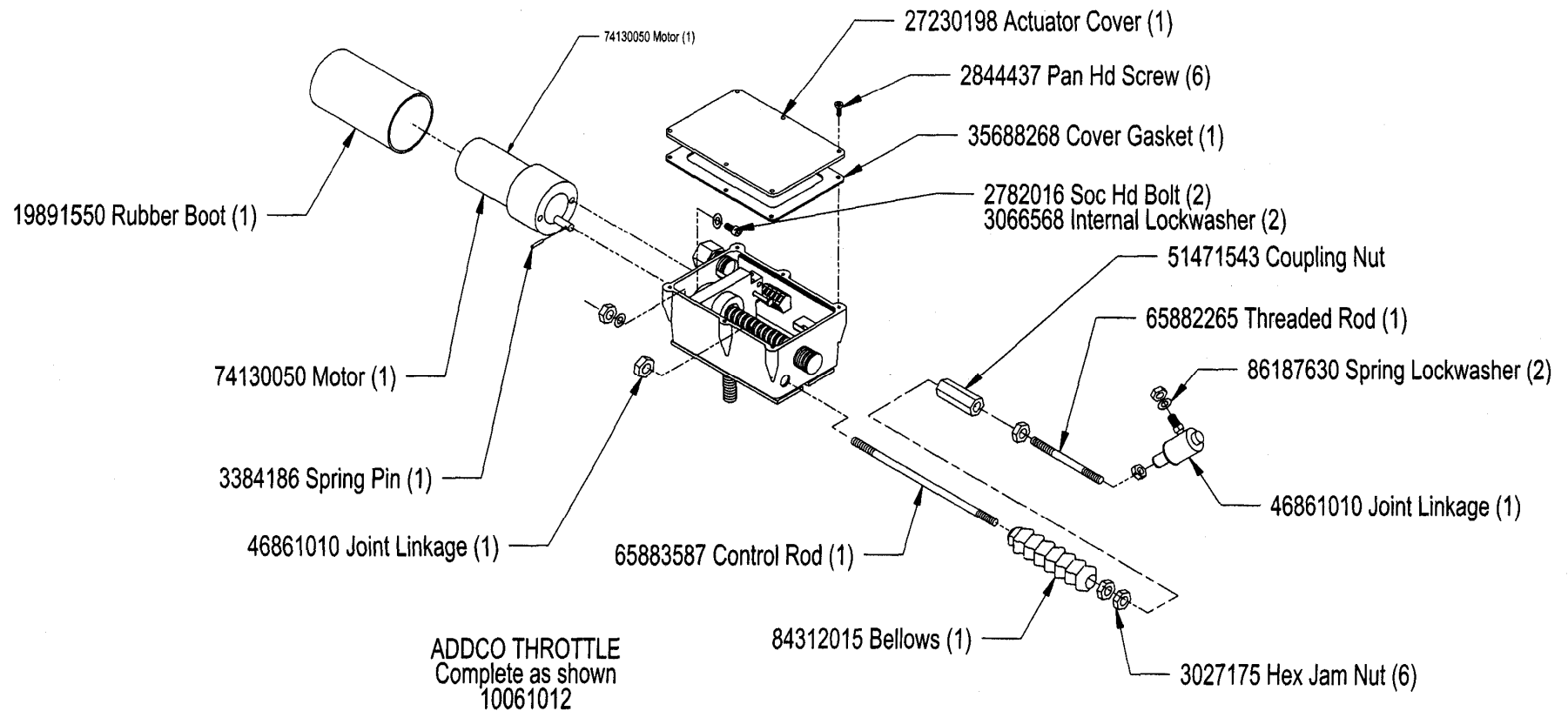
CONSUMABLES/WEAR ITEMS:

20	3894512	Fuel/Water Separator (RE508202).....	1
21	3894511	Oil Filter (RE519626).....	1
22	17560016	Serpentine Belt (R123464).....	1
23	17519210	A/C Compressor Belt.....	1
24☉	NF2088	Coolant Filter Element.....	1

☉ This is a Superior Diesel Part Number.

◆ The Hayes Pump Drive is only available as a complete unit. Repair items Are not available.

FIGURE 7JD-9. JOHN DEERE ENGINE 5030T with AC Compressor



NOTICE

Due to the different configurations available for engines, drawings will not be provided. The following list details this engine only. When calling Superior Diesel for support on this Engine, Reference the ES Code number listed below. Make certain you Have the S/N of the engine available at time of service call.

ES20129

Rated Horsepower: 84hp@2800 rpm
Actual Max HP: 77HP@2200 rpm
Operating RPM: 2400 rpm high idle
1100 rpm low idle

FIGURE 7JD-10. JOHN DEERE ENGINE 5030T w/o AC Compressor

ITEM NO.	PART NO.	DESCRIPTION	UNITS PER ASSEMBLY
1	31750239	John Deere 5030T.....	1
2	5128792	105 Amp Circuit Breaker.....	1
3	37580033	75 Amp Alternator.....	1
5	10061012	Addco Throttle (See Next Page).....	1
6	80010006	Timer.....	1
7	5193977	Water Temp Sender (SW).....	1
8	5196976	Oil Pressure Sender (SW).....	1
9◆	96412838	Drive Assembly (Hayes).....	1
10	1614485	Oil Drain Valve.....	1
11	22311189	Engine Enclosure Harness.....	1
12☉	60-0014	Nelson Muffler.....	1
13	42016800	Pull Handles.....	4
14☉	G082525	Donaldson Air Cleaner.....	1
15	1606987	Heater Shutoff Valves.....	2
16	27296865	Engine Enclosure.....	1
17	1607023	Brass Shutoff Valve (for Coolant Cond.)...	2
18	Contact Nordco	Espar Heater.....	1

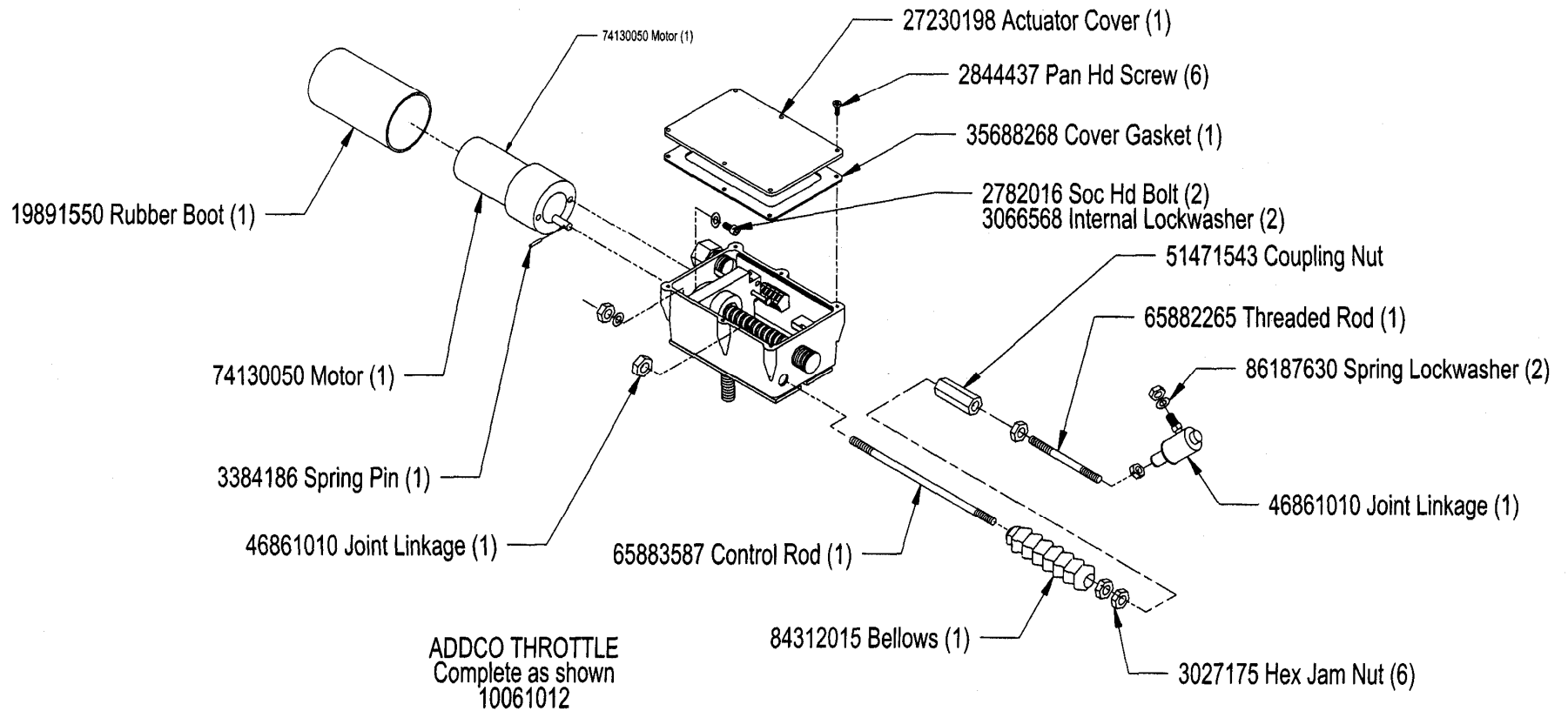
CONSUMABLES/WEAR ITEMS:

20	3894512	Fuel/Water Separator (RE508202).....	1
21	3894511	Oil Filter (RE519626).....	1
22	17560016	Serpentine Belt (R123464).....	1
23☉	NF2088	Coolant Filter Element.....	1

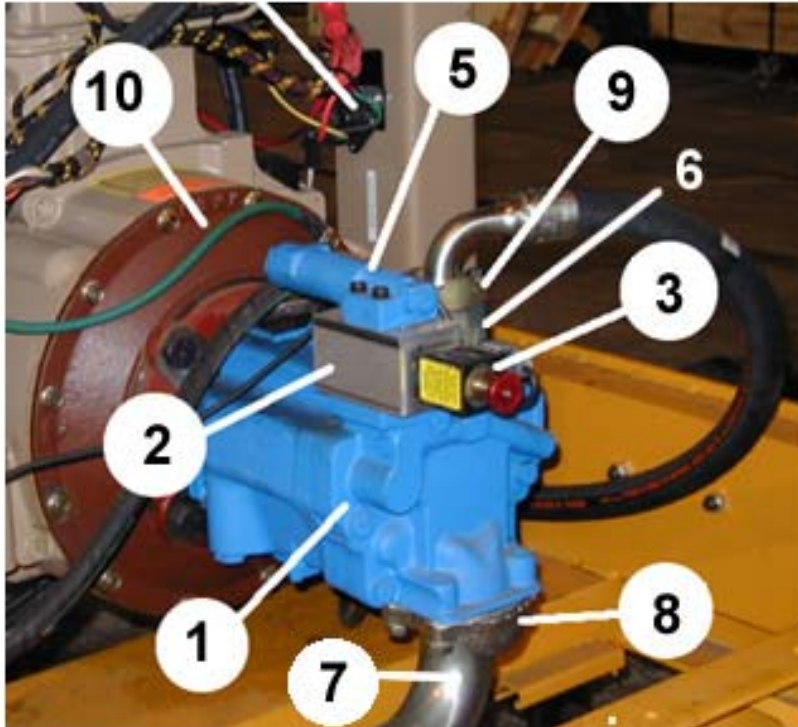
☉ This is a Superior Diesel Part Number.

◆ The Hayes Pump Drive is only available as a complete unit. Repair items are not available.

FIGURE 7JD-10. JOHN DEERE ENGINE 5030T w/o AC Compressor



**FIGURE 7P-1. PUMP
 PVH098
 S/N 410500-410695, Except RBUG's**



ITEM NO.	PART NO.	DESCRIPTION	UNITS PER ASSEMBLY
----------	----------	-------------	--------------------

NOTE: Item 1 (Pump) is no longer available for purchase. Items 2-5 are still available as repair part items. Refer to Figure 41RB-7P-1A when ordering a new pump.

1	59427921	Main Pump (Vickers PVH098 - 24V, 60GPM)	1
2	54218492	Destroke Valve	1
3	1698956	Destroke Valve Cartridge	1
4	25534019	Valve Coil	1
5	25700101	Compensator	1
6	1702100	Inline Check Valve	1
7	1990825	90° Split Flange Nipple – 2-1/2"	1
8	32510040	Split Flange Kit, 2-1/2"	1
--	35705451	O-Ring	1
9	32510032	Split Flange Kit, 1"	1
10	96350866	Funk Pump Drive (Not part of pump)	REF

The following are used to mount the pump to the pump drive:

15*	2775301	HH Capscrew, 1/2 x 1-1/2	4
16*	3064476	1/2" Lockwasher	4
17*	3060476	1/2" SAE Washer	4

⓪ Includes Flanges, O-Ring, Capscrews, and lockwashers

**FIGURE 7P-1A. PUMP
PVM098
S/N 410696 AND ABOVE**

