

Rear Brake Pedal Kit

Nordco has introduced the following kit for use on the M7 Ballast Regulator/Snow Fighter.

REAR BRAKE PEDAL KIT

Nordco part number 98800015

Machine Serial Numbers:

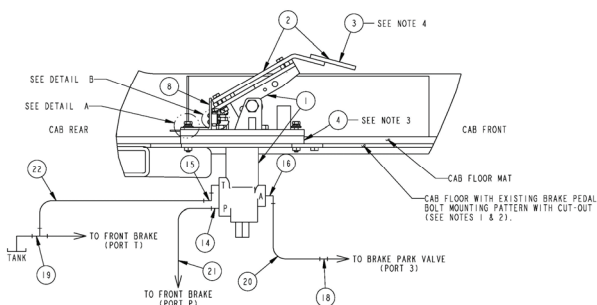
810301 - 800310 (except 800304)

This kit consists of all the components required to install a second brake pedal on the M7 Ballast Regulator/Snow Fighter.



Nordco M7 Ballast Regulator/ Snow Fighter.

- Second brake pedal in convenient location for reverse operation of machine.
- Improved ergonomics and safety; no need for operator to pivot to reach brake pedal when in reverse mode.
- Easy installation in shop or field.



Left: Drawing showing side view of Rear Brake Pedal Kit 98800015 . Right: Brake Pedal installed in cab of Nordco M7 Ballast Regulator/Snow Fighter.

Nordco Parts
800-647-1724

www.nordco.com